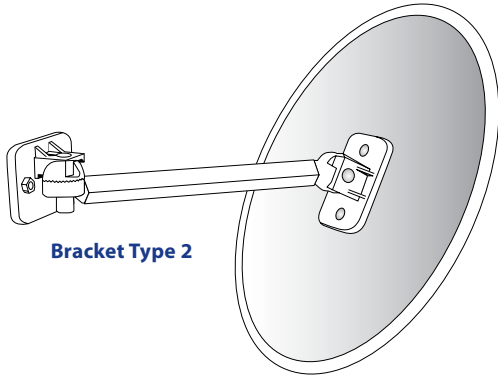
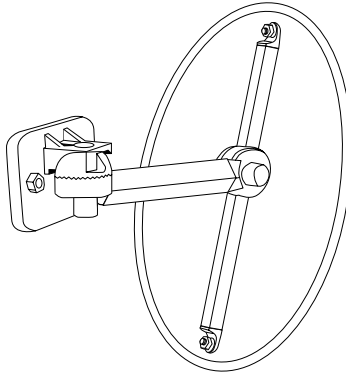


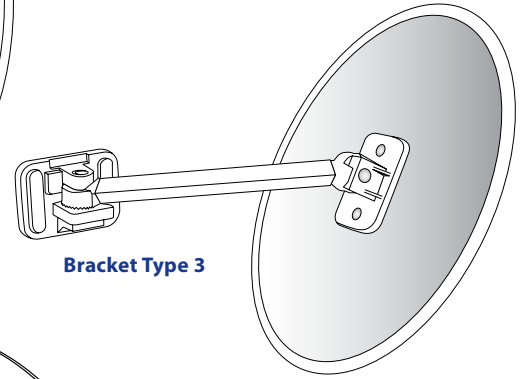
Bracket Configurations



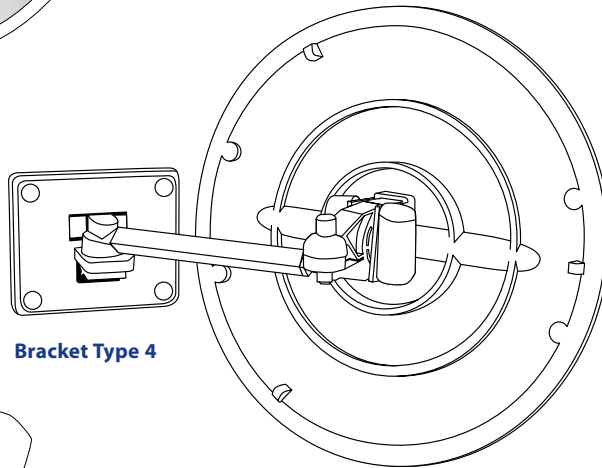
Bracket Type 2



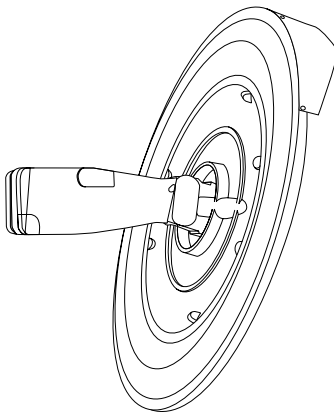
Bracket Type 1



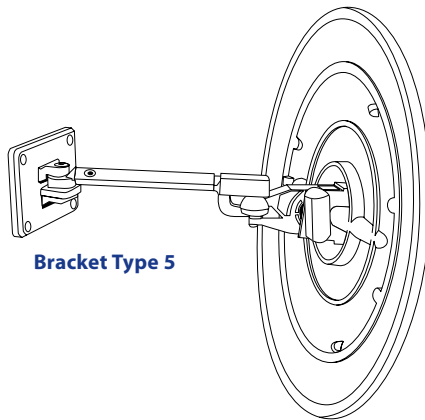
Bracket Type 3



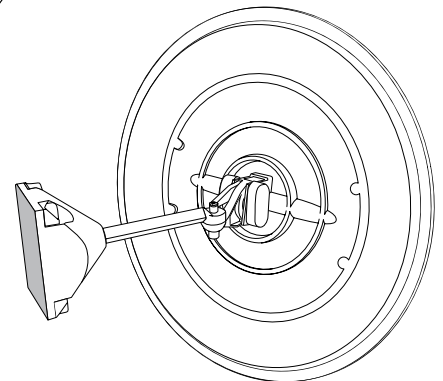
Bracket Type 4



Bracket Type 5



Bracket Type 6



Bracket Type 7

SAFE-T-VIEW
CONVEX MIRRORS

Freecall 1800 222 999

Phone: 61 2 9905 5199 Fax: 61 2 9905 0211

Email: sales@safe-t-view.com.au Web: www.safe-t-view.com.au

R. E Mandl + Co Pty Ltd ABN 61 000 426 871